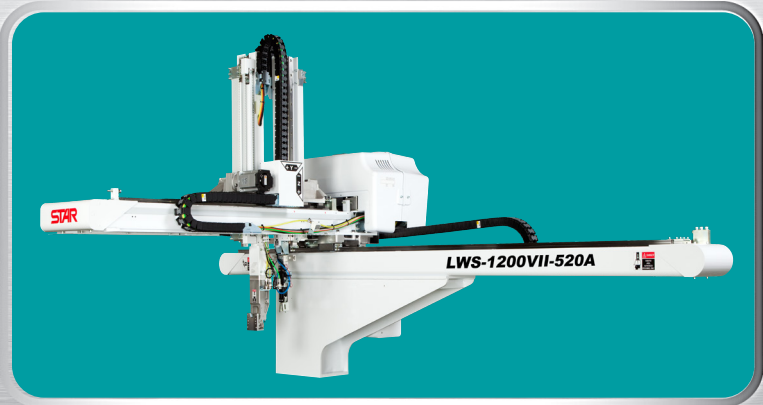


◎ INJECTION PRESS RANGE: 80-450 TON ◎

Digital AC SERVO Robot Series

LW-1200VII

LWS-1200VII



COMMON SPECIFICATIONS

Power Source	Air Pressure	Drive	Posture (air cylinder)	Recommended Load Max	Posture Torque @ 70 PSI	Control Types
200 VAC ± 10% 60 Hz	70 psi (.48 MPa)	AC Servo Motor	90°	11 lbs (5 kg)	14.9 ft-lbs (20.2 N•m)	STEC-520A

GENERAL SPECIFICATIONS

Model	Stroke				Electric Consumption (kVA)	Max Power Consumption (kW)	Main Body Weight (KG)	Air Consumption (ft³)
	(P) Vertical	(R) Vertical	Crosswise	Traverse				
LW-1200VII	49.21" (1250 mm)	N/A	30.32" (770 mm)	78.74" (2000 mm)	3.4	1.8	367 (809 lbs)	0.089 (2.5 NI / Cycle)
LWS-1200VII	49.21" (1250 mm)	49.21" (1250 mm)	30.32" (770 mm)	78.74" (2000 mm)	4.6	2.4	410 (904 lbs)	0.094 (2.7 NI / Cycle)

STANDARD FEATURE

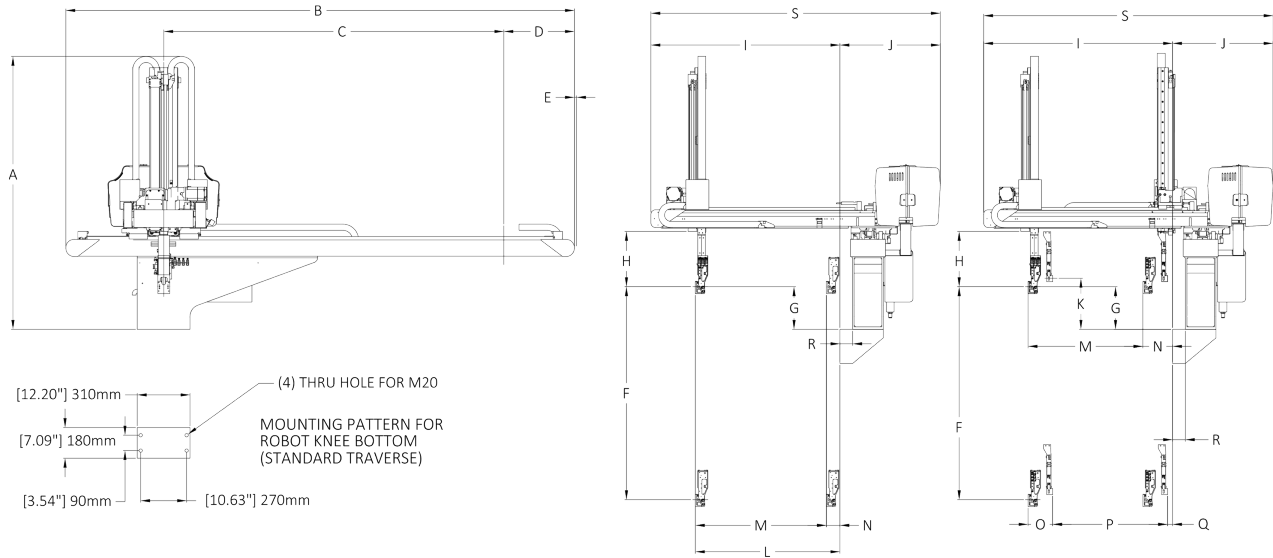
Vacuum Generator with Part Present Sensor
Part Grip Circuit
Sprue Grip Circuit
USB Port
Ethernet Port
Sample and Chuck Change Positons
Product Packaging (256 each axis)
CNC Step Programming
Micro SD
CPC® and AMP® Connections at the Head
Active Vibration Control
IMM Mounting Weldment
Multi- Level Password Protection
Position, Speed and Timer Adjust in Auto
Alarm History
Grease Pocket LM Bearings

OPTION LIST

Additional Vacuum Generator with Part Present Sensor
Additional Part Grip
Nipper on Chuck
Rotation 90°, 180° 2-Position, 180° 3-Position
Shuttle on Tool
Mold Spray
Air Blow
1-3 Color Alarm Light
Special Paint
Free Packaging
Central Lube
Quick Chuck Change
Servo Posture Wrist
Servo Posture Rotate

ISO 9001 Certified
Quality Management
System

OVERALL DIMENSIONS



		LW-1200VII	LWS-1200VII
A	Overall Height	63.11" (1603mm)	63.11" (1603mm)
B	Overall Width	108.31" (2751mm)	108.31" (2751mm)
C	Traverse Stroke	78.74" (2000mm)	78.74" (2000mm)
D	Overhang, Release Side	14.80" (376mm)	14.80" (376mm)
E	Cable Guide Overhang	0	0
F	(P) Vertical Stroke	49.21" (1250mm)	49.21" (1250mm)
G	(P) Vertical Standby	9.84" (250mm)	9.84" (250mm)
H	Bottom of Crosswise to Chuck Mount Postion	12.80" (325mm)	12.80" (325mm)
I	Mold Mounting Face - Crosswise Arm End	43.74" (1111mm)	43.74" (1111mm)
J	Mold Mounting Face - Box End	23.23" (590mm)	23.23" (590mm)
K	(R) Vertical Standby	-	11.81" (300mm)
L	(P) Crosswise Reach Max.	33.46" (850mm)	33.46" (850mm)
M	(P) Crosswise Stroke Max.	30.32" (770mm)	26.57" (675mm)
N	(P) Crosswise Standby Min.	3.15" (80mm)	6.89" (175mm)
O	(P) Proximity Min.	-	5.71" (145mm)
P	(R) Crosswise Stroke Max.	-	26.57" (675mm)
Q	(R) Crosswise Standby Min.	-	1.18" (30mm)
R	Base Offset	2.95" (75mm)	2.95" (75mm)
S	Box End - Crosswise Arm End	66.97" (1701mm)	66.97" (1701mm)



Wisconsin (HQ)
 N90 W14401 Commerce Drive
 Menomonee Falls, WI 53051
 Phone: 262-253-3550
 Fax: 262-253-3559
 Email: kscheife@starautomation.com

California
 18141 Beach Blvd. Unit 195
 Huntington Beach, CA 92648
 Phone: 714-375-2400
 Fax: 714-375-2446
 Email: ryamasaki@starautomation.com

Georgia
 5555 Oakbrook Parkway Suite 320
 Norcross, GA 30093
 Phone: 770-582-9350
 Fax: 770-582-9351
 Email: chebert@starautomation.com

Michigan
 17197 North Laurel Park Dr. Suite 125
 Livonia, MI 48152
 Phone: 734-462-9522
 Fax: 734-462-9527
 Email: jpoegel@starautomation.com

Indiana
 5625 Vogel Road Unit B
 Evansville, IN 47715
 Phone: 812-475-9947
 Fax: 812-475-9949
 Email: sberry@starautomation.com

Rhode Island
 860A Waterman Avenue
 E Providence, RI 02914
 Phone: 401-434-0617
 Fax: 401-434-0627
 Email: pgerzevitz@starautomation.com

Tennessee
 Sales Phone: 678-428-4202
 Service Phone: 615-796-5670
 Email: chebert@starautomation.com

Texas
 Phone: 262-853-6874
 Email: disken@starautomation.com

Star Seiki Mexico S.A. De C.V.
 Blvd Bernardo Quintana #7001
 Torre II Oficina 1004 Colonia Centro
 Sur, Queretaro, CP. 76090 Mexico
 Phone: +52-442-199-5180
 Email: knomura@starseikimexico.com