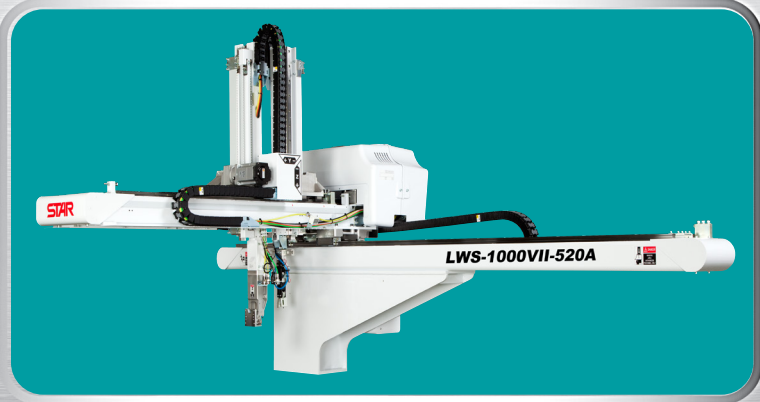


◎ INJECTION PRESS RANGE: 80-350 TON ◎

Digital AC SERVO Robot Series

LW-1000VII

LWS-1000VII



COMMON SPECIFICATIONS

| Power Source | Air Pressure | Drive | Posture (air cylinder) | Recommended Load Max | Posture Torque @ 70 PSI | Control Types |
|---------------------|------------------|----------------|------------------------|----------------------|-------------------------|---------------|
| 200 VAC ± 10% 60 Hz | 70 psi (.48 MPa) | AC Servo Motor | 90° | 11 lbs (5 kg) | 14.9 ft-lbs (20.2 N•m) | STEC-520A |

GENERAL SPECIFICATIONS

| Model | Stroke | | | | Electric Consumption (kVA) | Max Power Consumption (kW) | Main Body Weight (KG) | Air Consumption (ft³) |
|-------------|------------------|------------------|-----------------|------------------|----------------------------|----------------------------|-----------------------|------------------------|
| | (P) Vertical | (R) Vertical | Crosswise | Traverse | | | | |
| LW-1000VII | 41.33" (1050 mm) | N/A | 30.32" (770 mm) | 62.99" (1800 mm) | 3.4 | 1.8 | 354 (780 lbs) | 0.079 (2.2 NI / Cycle) |
| LWS-1000VII | 41.33" (1050 mm) | 41.33" (1050 mm) | 30.32" (770 mm) | 62.99" (1800 mm) | 4.6 | 2.4 | 396 (873 lbs) | 0.084 (2.4 NI / Cycle) |

STANDARD FEATURE

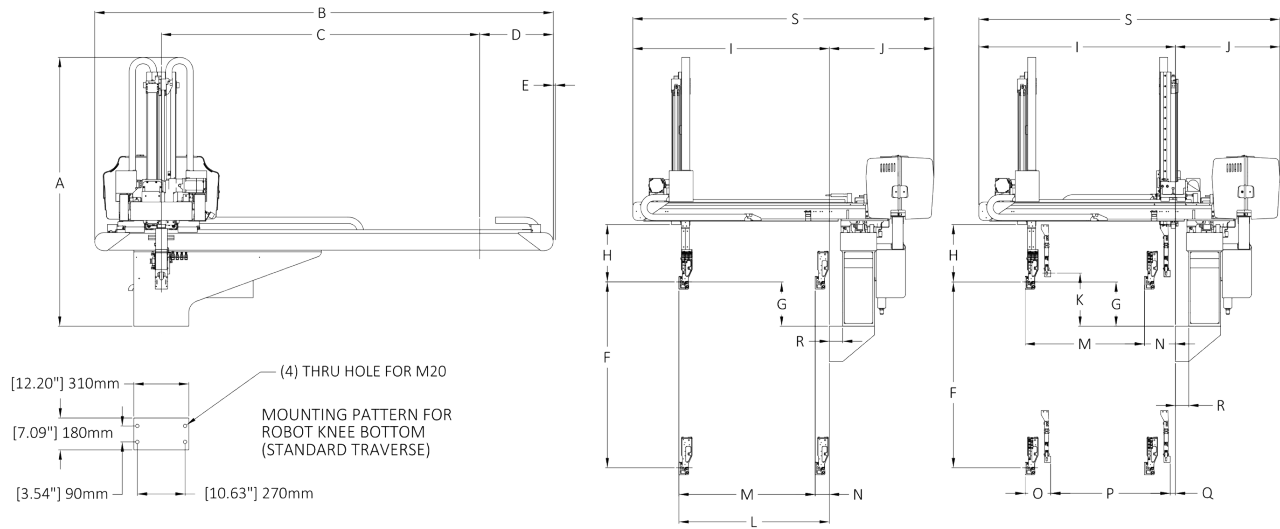
| |
|-------------------------------------------|
| Vacuum Generator with Part Present Sensor |
| Part Grip Circuit |
| Sprue Grip Circuit |
| USB Port |
| Ethernet Port |
| Sample and Chuck Change Positons |
| Product Packaging (256 each axis) |
| CNC Step Programming |
| Micro SD |
| CPC® and AMP® Connections at the Head |
| Active Vibration Control |
| IMM Mounting Weldment |
| Multi- Level Password Protection |
| Position, Speed and Timer Adjust in Auto |
| Alarm History |
| Grease Pocket LM Bearings |

OPTION LIST

| |
|------------------------------------------------------|
| Additional Vacuum Generator with Part Present Sensor |
| Additional Part Grip |
| Nipper on Chuck |
| Rotation 90°, 180° 2-Position, 180° 3-Position |
| Shuttle on Tool |
| Mold Spray |
| Air Blow |
| 1-3 Color Alarm Light |
| Special Paint |
| Free Packaging |
| Central Lube |
| Quick Chuck Change |
| Servo Posture Wrist |
| Servo Posture Rotate |

ISO 9001 Certified
Quality Management
System

OVERALL DIMENSIONS



| | | LW-1000VII | LWS-1000VII |
|---|--------------------------------------------|------------------|------------------|
| A | Overall Height | 59.25" (1505mm) | 59.25" (1505mm) |
| B | Overall Width | 101.22" (2571mm) | 101.22" (2571mm) |
| C | Traverse Stroke | 70.87" (1800mm) | 70.87" (1800mm) |
| D | Overhang, Release Side | 15.55" (395mm) | 15.55" (395mm) |
| E | Cable Guide Overhang | 0 | 0 |
| F | (P) Vertical Stroke | 41.34" (1050mm) | 41.34" (1050mm) |
| G | (P) Vertical Standby | 9.84" (250mm) | 9.84" (250mm) |
| H | Bottom of Crosswise to Chuck Mount Postion | 12.80" (325mm) | 12.80" (325mm) |
| I | Mold Mounting Face - Crosswise Arm End | 43.74" (1111mm) | 43.74" (1111mm) |
| J | Mold Mounting Face - Box End | 23.23" (590mm) | 23.23" (590mm) |
| K | (R) Vertical Standby | - | 11.81" (300mm) |
| L | (P) Crosswise Reach Max. | 33.46" (850mm) | 33.46" (850mm) |
| M | (P) Crosswise Stroke Max. | 30.32" (770mm) | 26.57" (675mm) |
| N | (P) Crosswise Standby Min. | 3.15" (80mm) | 6.89" (175mm) |
| O | (P) Proximity Min. | - | 5.71" (145mm) |
| P | (R) Crosswise Stroke Max. | - | 26.57" (675mm) |
| Q | (R) Crosswise Standby Min. | - | 1.18" (30mm) |
| R | Base Offset | 2.95" (75mm) | 2.95" (75mm) |
| S | Box End - Crosswise Arm End | 66.97" (1701mm) | 66.97" (1701mm) |



Wisconsin (HQ)
N90 W14401 Commerce Drive
Menomonee Falls, WI 53051
Phone: 262-253-3550
Fax: 262-253-3559
Email: kscheife@starautomation.com

California
18141 Beach Blvd. Unit 195
Huntington Beach, CA 92648
Phone: 714-375-2400
Fax: 714-375-2446
Email: ryamasaki@starautomation.com

Georgia
5555 Oakbrook Parkway Suite 320
Norcross, GA 30093
Phone: 770-582-9350
Fax: 770-582-9351
Email: chebert@starautomation.com

Michigan
17197 North Laurel Park Dr. Suite 125
Livonia, MI 48152
Phone: 734-462-9522
Fax: 734-462-9527
Email: jpoegel@starautomation.com

Indiana
5625 Vogel Road Unit B
Evansville, IN 47715
Phone: 812-475-9947
Fax: 812-475-9949
Email: sberry@starautomation.com

Rhode Island
860A Waterman Avenue
E Providence, RI 02914
Phone: 401-434-0617
Fax: 401-434-0627
Email: pgerzevitz@starautomation.com

Tennessee
Sales Phone: 678-428-4202
Service Phone: 615-796-5670
Email: chebert@starautomation.com

Texas
Phone: 262-853-6874
Email: disken@starautomation.com

Star Seiki Mexico S.A. De C.V.
Blvd Bernardo Quintana #7001
Torre II Oficina 1004 Colonia Centro
Sur, Queretaro, CP. 76090 Mexico
Phone: +52-442-199-5180
Email: knomura@starseikimexico.com