

● INJECTION PRESS RANGE **80-300 ton** ●

*Digital AC SERVO Robot Series*

# TW-800VI

# TWS-800VI



## COMMON SPECIFICATIONS

Power Source	Air Pressure	Drive	Posture (Air Cylinder)	Recommended Max Load	Posture Torque @ 70 PSI	Control Types
200 VAC ± 10% 60 Hz	70 psi (.48 MPa)	AC Servo Motor	90°	11 lbs (5 kg)	10.9 ft-lbs (14.78 N-m)	STEC-480 STEC-380

## GENERAL SPECIFICATIONS

Model	Stroke				Electric Consumption (kVA)	Max Power Consumption (kW)	Net Weight		Air Consumption
	(P) Vertical	(R) Vertical	Crosswise	Traverse			Main Body	Pendant and Stand	
TW-800VI	33.5" (850 mm)	N/A	24.4" (625 mm)* 30.3" (770 mm)*	63" (1600 mm)	3.4	1.8	800 lbs (363 kg)	30 lbs (13.6 kg)	0.11 ft <sup>3</sup> (3.1 L/cycle)
TWS-800VI	33.5" (850 mm)	33.5" (850 mm)	(P)20.6" (525 mm)* (R)20.6" (525 mm)* (P)26.6" (675 mm)* (R)26.6" (675 mm)*	63" (1600 mm)	4.6	2.4	883 lbs (401 kg)	30 lbs (13.6 kg)	0.11 ft <sup>3</sup> (3.1 L/cycle)

\* Depends on Stock at Time of Purchase

## STANDARD FEATURES

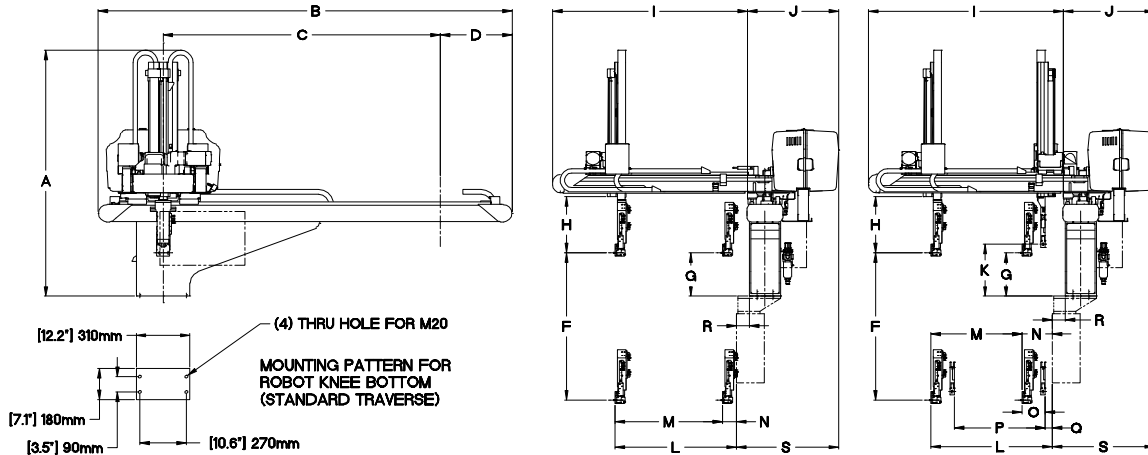
Vacuum Generator with Part Present Sensor
Part Grip Circuit
Sprue Grip Circuit
Selectable Fixed Side Extract
Defective Product Drop
Sample and Chuck Change Positions
Product Packaging (256 each axis)
CNC Step Programming
Compact Flash Memory
CPC® and AMP® Connections at the Head
Active Vibration Control
IMM Mounting Weldment
Multi-Level Password Protection
Position, Speed and Timer Adjust in Auto
Alarm History
Grease Pocket LM Bearings

## OPTION LIST

Additional Vacuum Generator with Part Present Sensor
Additional Part Grip
Nipper on Chuck
Rotation 90°, 180° 2-Position, 180° 3-Position
Shuttle on Tool
Mold Spray
Air Blow
1-3 Color Alarm Light
Special Paint
Free Packaging
Central Lube
Quick Chuck Change
Servo Posture Wrist

ISO 9001  
Certified Quality  
Management  
System

## OVERALL DIMENSIONS



		TW-800VI	TWS-800VI
A	Overall Height	55.91" (1420 mm)	55.91" (1420 mm)
B	Overall Width	94.17" (2392 mm)/101.26"(2572 mm)*	94.17" (2392 mm)/101.26"(2572 mm)*
C	Traverse Stroke	62.99" (1600 mm)	62.99" (1600 mm)
D	Overhang, Release Side	16.38" (416 mm)	16.38" (416 mm)
E	Cable Guide Overhang	0" (0 mm)	0" (0 mm)
F	(P) Vertical Stroke	33.46" (850 mm)	33.46" (850 mm)
G	(P) Vertical Standby	9.84" (250 mm)	9.84" (250 mm)
H	Bottom of Crosswise to Chuck Mount Position	12.80" (325 mm)	12.80" (325 mm)
I	Crosswise Arm	44.35" (1126.5 mm)/50.26"(1276.5 mm)*	44.35" (1126.5 mm)/50.26"(1276.5 mm)*
J	Thickness	20.71" (526 mm)	20.71" (526 mm)
K	(R) Vertical Standby	—	11.81" (300 mm)
L	(P) Crosswise Reach	27.56" (700 mm)/33.46"(850 mm)*	27.56" (700 mm)/33.46"(850 mm)*
M	(P) Crosswise Stroke Max.	24.41" (620 mm)/30.31"(770 mm)*	20.67" (525 mm)/26.57"(675 mm)*
N	(P) Crosswise Standby Min.	3.15" (80 mm)	6.89" (175 mm)
O	(P) (R) Proximity Min.	—	5.31" (135 mm)
P	(R) Crosswise Stroke Max.	—	20.67" (525 mm)/26.57"(675 mm)*
Q	(R) Crosswise Standby Min.	—	1.57" (40 mm)
R	Base Offset	2.95" (75 mm)	2.95" (75 mm)
S	Mold Mounting Face - Box End	23.27" (591 mm)	23.27" (591 mm)

\*Depends on Stock at Time of Purchase



**Corporate Headquarters**  
N90 W14401 Commerce Drive  
Menomonee Falls, WI 53051  
Phone: 262.253.3550  
Fax: 262.253.3559

**California Office**  
18141 Beach Boulevard  
Unit 110  
Huntington Beach, CA 92648  
Phone: 714.375.2400  
Fax: 714.375.2446

**Georgia Office**  
1351 Oakbrook Drive  
Suite 100  
Norcross, GA 30093  
Phone: 770.582.9350  
Fax: 770.582.9351

**Indiana Office**  
5625 Vogel Road  
Unit B  
Evansville, IN 47715  
Phone: 812.475.9947  
Fax: 812.475.9949

**Mexico Office**  
Calle Torre Del Campo 110  
Col. Valle de Torremolinos  
Guadalupe N.L. Mexico 67117  
Phone: 011.52.818.341.8311  
Fax: 011.52.811.086.4136

**Texas Office**  
2614 Charleston Drive  
Pharr, TX 78577  
Phone: 956.702.2740  
Fax: 956.702.8807

**Michigan Office**  
17197 North Laurel Park Dr.  
Suite 125  
Livonia, MI 48152  
Phone: 734.462.9522  
Fax: 734.462.9527

**Rhode Island Office**  
860A Waterman Avenue  
E Providence, RI 02914  
Phone: 401.434.0617  
Fax: 401.434.0627

**Memphis Tennessee Office**  
7512 Corporate Centre  
Suite 201  
Germantown, TN 38138  
Phone: 901.737.6407  
Fax: 901.737.6408

**Nashville Tennessee Office**  
304 South Lowry Street  
Suite D  
Smyrna, TN 37167  
Phone: 615.223.8666  
Fax: 615.223.0640