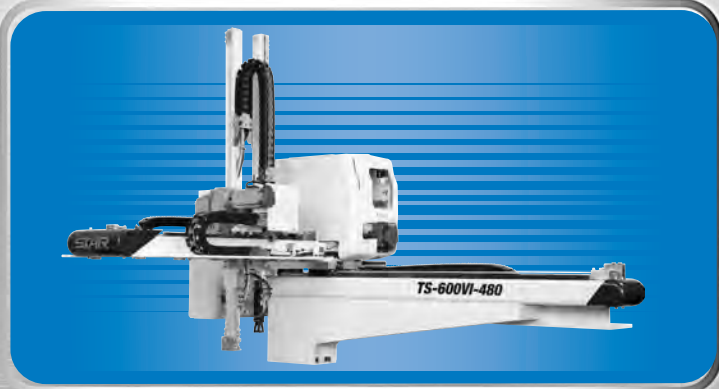


● INJECTION PRESS RANGE **40-100 ton** ●

Digital AC SERVO Robot Series

T-600VI

TS-600VI



COMMON SPECIFICATIONS

Power Source	Air Pressure	Drive	Posture (Air Cylinder)	Recommended Max Load	Posture Torque @ 70 PSI	Control Types
200 VAC ± 10% 60 Hz	70 psi (.48 MPa)	AC Servo Motor	90°	4.4 lbs (2 kg)	3.4 ft-lbs (4.6 N-m)	STEC-480 STEC-380

* It is possible to increase the Maximum Load capacity depending on the speed acceleration & deceleration data.

GENERAL SPECIFICATIONS

Model	Stroke				Electric Consumption (kVA)	Max Power Consumption (kW)	Net Weight		Air Consumption
	(P) Vertical	(R) Vertical	Crosswise	Traverse			Main Body	Pendant and Stand	
T-600VI	25.6" (650 mm)	N/A	16.5" (420 mm)	47.2" (1200 mm)	2.5	1.35	420 lbs (191 kg)	30 lbs (13.6 kg)	0.07 ft ³ (2 L/cycle)
TS-600VI	25.6" (650 mm)	25.6" (650 mm)	(P)14.2" (360 mm) (R)14.2" (360 mm)	47.2" (1200 mm)	3.5	1.85	472 lbs (214 kg)	30 lbs (13.6 kg)	0.07 ft ³ (2 L/cycle)

STANDARD FEATURES

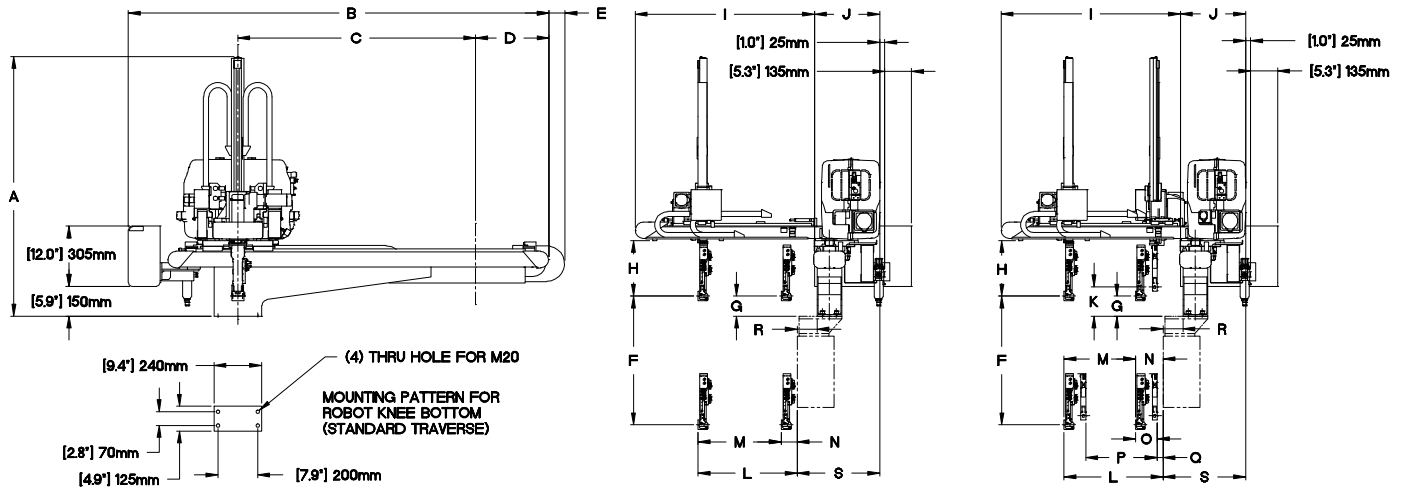
Vacuum Generator with Part Present Sensor
Part Grip Circuit
Sprue Grip Circuit
Selectable Fixed Side Extract
Defective Product Drop
Sample and Chuck Change Positions
Product Packaging (256 each axis)
CNC Step Programming
Compact Flash Memory
CPC® and AMP® Connections at the Head
Active Vibration Control
IMM Mounting Weldment
Multi-Level Password Protection
Position, Speed and Timer Adjust in Auto
Alarm History
Grease Pocket LM Bearings

OPTION LIST

Additional Vacuum Generator with Part Present Sensor
Additional Part Grip
Nipper on Chuck
Rotation 90°, 180° 2-Position, 180° 3-Position
Shuttle on Tool
Mold Spray
Air Blow
1-3 Color Alarm Light
Special Paint
Free Packaging
Central Lube
Quick Chuck Change

ISO 9001
Certified Quality
Management
System

OVERALL DIMENSIONS



		T-600VI	TS-600VI
A	Overall Height	51.57" (1310 mm)	51.57" (1310 mm)
B	Overall Width	83.54" (2122 mm)	83.54" (2122 mm)
C	Traverse Stroke	47.24" (1200 mm)	47.24" (1200 mm)
D	Overhang, Release Side	14.57" (370 mm)	14.57" (370 mm)
E	Cable Guide Overhang	3.15" (80 mm)	3.15" (80 mm)
F	(P) Vertical Stroke	25.59" (650 mm)	25.59" (650 mm)
G	(P) Vertical Standby	3.94" (100 mm)	3.94" (100 mm)
H	Bottom of Crosswise to Chuck Mount Position	11.08" (282 mm)	11.08" (282 mm)
I	Crosswise Arm	35.63" (905 mm)	35.63" (905 mm)
J	Thickness	13.00" (330 mm)	13.00" (330 mm)
K	(R) Vertical Standby	—	5.79" (147 mm)
L	(P) Crosswise Reach	19.69" (500 mm)	19.69" (500 mm)
M	(P) Crosswise Stroke Max.	16.54" (420 mm)	14.17" (360 mm)
N	(P) Crosswise Standby Min.	3.15" (80 mm)	5.51" (140 mm)
O	(P) Proximity Min.	—	4.33" (110 mm)
P	(R) Crosswise Stroke Max	—	14.17" (360 mm)
Q	(R) Crosswise Standby Min.	—	1.18" (30 mm)
R	Base Offset	3.94" (100 mm)	3.94" (100 mm)
S	Mold Mounting Face - Box End	16.46" (418 mm)	16.46" (418 mm)



Corporate Headquarters
 N90 W14401 Commerce Drive
 Menomonee Falls, WI 53051
 Phone: 262.253.3550
 Fax: 262.253.3559

California Office
 18141 Beach Boulevard
 Unit 110
 Huntington Beach, CA 92648
 Phone: 714.375.2400
 Fax: 714.375.2446

Georgia Office
 1351 Oakbrook Drive
 Suite 100
 Norcross, GA 30093
 Phone: 770.582.9350
 Fax: 770.582.9351

Indiana Office
 5625 Vogel Road
 Unit B
 Evansville, IN 47715
 Phone: 812.475.9947
 Fax: 812.475.9949

Mexico Office
 Calle Torre Del Campo 110
 Col. Valle de Torremolinos
 Guadalupe N.L. Mexico 67117
 Phone: 011.52.818.341.8311
 Fax: 011.52.811.086.4136

Texas Office
 2614 Charleston Drive
 Pharr, TX 78577
 Phone: 956.702.2740
 Fax: 956.702.8807

Michigan Office
 17197 North Laurel Park Dr.
 Suite 125
 Livonia, MI 48152
 Phone: 734.462.9522
 Fax: 734.462.9527

Rhode Island Office
 860A Waterman Avenue
 E Providence, RI 02914
 Phone: 401.434.0617
 Fax: 401.434.0627

Memphis Tennessee Office
 7512 Corporate Centre
 Suite 201
 Germantown, TN 38138
 Phone: 901.737.6407
 Fax: 901.737.6408

Nashville Tennessee Office
 304 South Lowry Street
 Suite D
 Smyrna, TN 37167
 Phone: 615.223.8666
 Fax: 615.223.0640