



INJECTION PRESS RANGE **80-350 ton**

*Digital AC SERVO Robot Series*

# LW-1000VI

# LWS-1000VI

## COMMON SPECIFICATIONS

Power Source	Air Pressure	Drive	Posture (Air Cylinder)	Recommended Max Load	Posture Torque @ 70 PSI	Control Types
200 VAC ± 10% 60 Hz	70 psi (.48 MPa)	AC Servo Motor	90°	11 lbs (5 kg)	10.9 ft-lbs (14.78 N-m)	STEC-480 STEC-380

## GENERAL SPECIFICATIONS

Model	Stroke				Electric Consumption (kVA)	Max Power Consumption (kW)	Net Weight		Air Consumption
	(P) Vertical	(R) Vertical	Crosswise	Traverse			Main Body	Pendant and Stand	
LW-1000VI	41.3" (1050 mm)	N/A	24.4" (620 mm)* 30.3" (770 mm)*	70.9" (1800 mm)	3.4	1.8	830 lbs (376 kg)	30 lbs (13.6 kg)	0.11 ft <sup>3</sup> (3.2 L/cycle)
LWS-1000VI	41.3" (1050 mm)	41.3" (1050 mm)	(P)20.6" (525 mm)* (R)20.6" (525 mm)* (P)26.6" (675 mm)* (R)26.6" (675 mm)*	70.9" (1800 mm)	4.6	2.4	916 lbs (415 kg)	30 lbs (13.6 kg)	0.11 ft <sup>3</sup> (3.2 L/cycle)

\* Depends on Stock at Time of Purchase

## STANDARD FEATURES

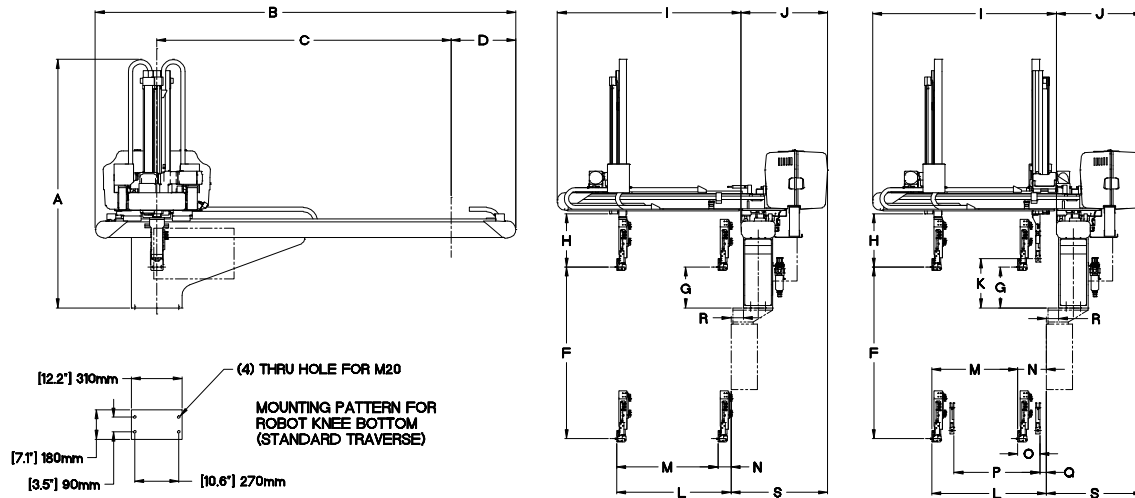
Vacuum Generator with Part Present Sensor
Part Grip Circuit
Sprue Grip Circuit
Selectable Fixed Side Extract
Defective Product Drop
Sample and Chuck Change Positions
Product Packaging (256 each axis)
CNC Step Programming
Compact Flash Memory
CPC® and AMP® Connections at the Head
Active Vibration Control
IMM Mounting Weldment
Multi-Level Password Protection
Position, Speed and Timer Adjust in Auto
Alarm History
Grease Pocket LM Bearings

## OPTION LIST

Additional Vacuum Generator with Part Present Sensor
Additional Part Grip
Nipper on Chuck
Rotation 90°, 180° 2-Position, 180° 3-Position
Shuttle on Tool
Mold Spray
Air Blow
1-3 Color Alarm Light
Special Paint
Free Packaging
Central Lube
Quick Chuck Change
Servo Posture Wrist

ISO 9001  
Certified Quality  
Management  
System

## OVERALL DIMENSIONS



		LW-1000VI	LWS-1000VI
A	Overall Height	59.84" (1520 mm)	59.84" (1520 mm)
B	Overall Width	101.26" (2572 mm)	101.26" (2572 mm)
C	Traverse Stroke	70.87" (1800 mm)	70.87" (1800 mm)
D	Overhang, Release Side	15.59" (396 mm)	15.59" (396 mm)
E	Cable Guide Overhang	0" (0 mm)	0" (0 mm)
F	(P) Vertical Stroke	41.34" (1050 mm)	41.34" (1050 mm)
G	(P) Vertical Standby	9.84" (250 mm)	9.84" (250 mm)
H	Bottom of Crosswise to Chuck Mount Position	12.80" (325 mm)	12.80" (325 mm)
I	Crosswise Arm	44.35" (1126.5 mm)/50.26"(1276.5 mm)*	44.35" (1126.5 mm)/50.26"(1276.5 mm)*
J	Thickness	20.71" (526 mm)	20.71" (526 mm)
K	(R) Vertical Standby	—	11.81" (300 mm)
L	(P) Crosswise Reach	27.56" (700 mm)/33.46"(850 mm)*	27.56" (700 mm)/33.46"(850 mm)*
M	(P) Crosswise Stroke Max.	24.41" (620 mm)/30.31"(770 mm)*	20.67" (525 mm)/26.57"(675 mm)*
N	(P) Crosswise Standby Min.	3.15" (80 mm)	6.89" (175 mm)
O	(P) (R) Proximity Min.	—	5.31" (135 mm)
P	(R) Crosswise Stroke Max.	—	20.67" (525 mm)/26.57"(675 mm)*
Q	(R) Crosswise Standby Min.	—	1.57" (40 mm)
R	Base Offset	2.95" (75 mm)	2.95" (75 mm)
S	Mold Mounting Face - Box End	23.27" (591 mm)	23.27" (591 mm)

\* Depends on Stock at Time of Purchase



**Corporate Headquarters**  
 N90 W14401 Commerce Drive  
 Menomonee Falls, WI 53051  
 Phone: 262.253.3550  
 Fax: 262.253.3559

**California Office**  
 18141 Beach Boulevard  
 Unit 110  
 Huntington Beach, CA 92648  
 Phone: 714.375.2400  
 Fax: 714.375.2446

**Georgia Office**  
 1351 Oakbrook Drive  
 Suite 100  
 Norcross, GA 30093  
 Phone: 770.582.9350  
 Fax: 770.582.9351

**Indiana Office**  
 5625 Vogel Road  
 Unit B  
 Evansville, IN 47715  
 Phone: 812.475.9947  
 Fax: 812.475.9949

**Mexico Office**  
 Calle Torre Del Campo 110  
 Col. Valle de Torremolinos  
 Guadalupe N.L. Mexico 67117  
 Phone: 011.52.818.341.8311  
 Fax: 011.52.811.086.4136

**Texas Office**  
 2614 Charleston Drive  
 Pharr, TX 78577  
 Phone: 956.702.2740  
 Fax: 956.702.8807

**Michigan Office**  
 17197 North Laurel Park Dr.  
 Suite 125  
 Livonia, MI 48152  
 Phone: 734.462.9522  
 Fax: 734.462.9527

**Rhode Island Office**  
 860A Waterman Avenue  
 E Providence, RI 02914  
 Phone: 401.434.0617  
 Fax: 401.434.0627

**Memphis Tennessee Office**  
 7512 Corporate Centre  
 Suite 201  
 Germantown, TN 38138  
 Phone: 901.737.6407  
 Fax: 901.737.6408

**Nashville Tennessee Office**  
 304 South Lowry Street  
 Suite D  
 Smyrna, TN 37167  
 Phone: 615.223.8666  
 Fax: 615.223.0640