

◎ INJECTION PRESS RANGE: 250-450 TON ◎

*Digital AC SERVO Robot Series*

## TW-1100HMOVII TWS-1100HMOVII



### COMMON SPECIFICATIONS

| Power Source        | Air Pressure     | Drive          | Posture (air cylinder) | Recommended Load Max | Posture Torque @ 70 PSI | Control Types |
|---------------------|------------------|----------------|------------------------|----------------------|-------------------------|---------------|
| 200 VAC ± 10% 60 Hz | 70 psi (.48 MPa) | AC Servo Motor | 90°                    | 22 lbs (10 kg)       | 40.6 ft-lbs (55.0 N·m)  | STEC-520B     |

### GENERAL SPECIFICATIONS

| Model          | Stroke           |                  |                  |                  | Electric Consumption (kVA) | Max Power Consumption (kW) | Main Body Weight (KG) | Air Consumption (ft³)  |
|----------------|------------------|------------------|------------------|------------------|----------------------------|----------------------------|-----------------------|------------------------|
|                | (P) Vertical     | (R) Vertical     | Crosswise        | Traverse         |                            |                            |                       |                        |
| TW-1100HMOVII  | 47.24" (1200 mm) | N/A              | 44.49" (1130 mm) | 70.87" (1800 mm) | 12.0                       | 7.2                        | 978 (2156 lbs)        | 0.48 (13.5 NI / Cycle) |
| TWS-1100HMOVII | 47.24" (1200 mm) | 49.21" (1250 mm) | 38.98" (990 mm)  | 70.87" (1800 mm) | 18.0                       | 10.8                       | 1052 (2319 lbs)       | 0.48 (13.6 NI / Cycle) |

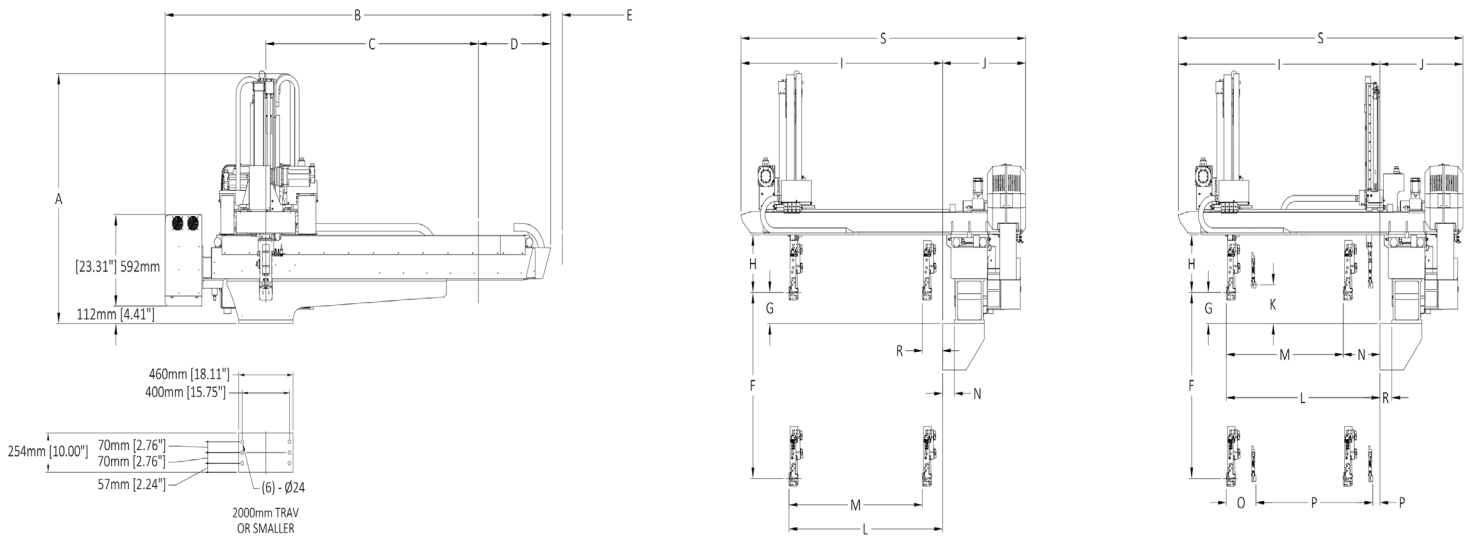
### STANDARD FEATURE

|   |
|---|
| Vacuum Generator with Part Present Sensor |
| Part Grip Circuit                         |
| Sprue Grip Circuit                        |
| USB Port                                  |
| Ethernet Port                             |
| Sample and Chuck Change Positons          |
| Product Packaging (256 each axis)         |
| CNC Step Programming                      |
| Micro SD Card                             |
| CPC® and AMP® Connections at the Head     |
| Active Vibration Control                  |
| IMM Mounting Weldment                     |
| Multi- Level Password Protection          |
| Position, Speed and Timer Adjust in Auto  |
| Alarm History                             |
| Grease Pocket LM Bearings                 |

### OPTION LIST

|  |
|--|
| Additional Vacuum Generator with Part Present Sensor |
| Additional Part Grip                                 |
| Nipper on Chuck                                      |
| Rotation 90°, 180° 2-Position, 180° 3-Position       |
| Shuttle on Tool                                      |
| Mold Spray   |
| Air Blow   |
| 1-3 Color Alarm Light                                |
| Special Paint  |
| Free Packaging                                       |
| Central Lube   |
| Quick Chuck Change                                   |
| Servo Posture Wrist                                  |

## OVERALL DIMENSIONS



|   |  | TW-1100HMOVII    | TWS-1100HMOVII   |
|---|--|------------------|------------------|
| A | Overall Height                             | 63.54" (1614mm)  | 63.54" (1614mm)  |
| B | Overall Width                              | 128.50" (3264mm) | 128.50" (3264mm) |
| C | Traverse Stroke                            | 70.87" (1800mm)  | 70.87" (1800mm)  |
| D | Overhang, Release Side                     | 24.05" (611mm)   | 24.05" (611mm)   |
| E | Cable Guide Overhang                       | 0                | 0                |
| F | (P) Vertical Stroke                        | 47.24" (1200mm)  | 47.24" (1200mm)  |
| G | (P) Vertical Standby                       | 7.87" (200mm)    | 7.87" (200mm)    |
| H | Bottom of Crosswise to Chuck Mount Postion | 14.57" (370mm)   | 14.57" (370mm)   |
| I | Mold Mounting Face - Crosswise Arm End     | 67.17" (1706mm)  | 67.17" (1706mm)  |
| J | Mold Mounting Face - Box End               | 27.72" (704mm)   | 27.72" (704mm)   |
| K | (S) Vertical Standby                       | -                | 9.84" (250mm)    |
| L | (P) Crosswise Reach Max.                   | 51.18" (1300mm)  | 51.18" (1300mm)  |
| M | (P) Crosswise Stroke Max.                  | 44.49" (1130mm)  | 38.98" (990mm)   |
| N | (P) Crosswise Standby Min.                 | 6.69" (170mm)    | 12.20" (310mm)   |
| O | (P) Proximity Min.                         | -                | 9.84" (250mm)    |
| P | (S) Crosswise Stroke Max.                  | -                | 38.98" (990mm)   |
| Q | (S) Crosswise Standby Min.                 | -                | 2.36" (60mm)     |
| R | Base Offset                                | 3.98" (101mm)    | 3.98" (101mm)    |
| S | Box End - Crosswise Arm End                | 94.88" (2410mm)  | 94.88" (2410mm)  |



### Wisconsin (HQ)

N90 W14401 Commerce Drive  
Menomonee Falls, WI 53051  
Phone: 262-253-3550  
Fax: 262-253-3559  
Email: kscheife@starautomation.com

### California

18141 Beach Blvd. Unit 195  
Huntington Beach, CA 92648  
Phone: 714-375-2400  
Fax: 714-375-2446  
Email: ryamasaki@starautomation.com

### Georgia

5555 Oakbrook Parkway Suite 320  
Norcross, GA 30093  
Phone: 770-582-9350  
Fax: 770-582-9351  
Email: chebert@starautomation.com

### Indiana

5625 Vogel Road Unit B  
Evansville, IN 47715  
Phone: 812-475-9947  
Fax: 812-475-9949  
Email: sberry@starautomation.com

### Michigan

17197 North Laurel Park Dr. Suite 125  
Livonia, MI 48152  
Phone: 734-462-9522  
Fax: 734-462-9527  
Email: tsukuda@starautomation.com

### Rhode Island

860A Waterman Avenue  
E Providence, RI 02914  
Phone: 401-434-0617  
Fax: 401-434-0627  
Email: pgerzevitz@starautomation.com

### Tennessee

Sales Phone: 678-428-4202  
Service Phone: 615-796-5670  
Email: chebert@starautomation.com

### Star Seiki Mexico S.A. De C.V.

Bldv Bernardo Quintana #7001  
Torre II Oficina 1004 Colonia Centro Sur,  
Queretaro, CP. 76090 Mexico  
Phone: +52-442-199-5180  
Email: knomura@starseikimexico.com