

## SAII-1400-3 SAII-1400S-3



### Easy Operation

- Touch screen for easy operation
- Multicolor operation keys for improved visibility and ease of use
- Two-language exchange (English and Spanish)

 **LM Guide**  
THK linear motion rails on all axis

To minimize the vibration and provide high rigidity and stability.



**Injection Press Range**  
450~750 ton



**Saving Energy**  
Reduced power and air consumption.

25%

Power consumption reduced by 25%

75%

Air consumption reduced by 75%

### COMMON SPECIFICATIONS

Power Source	Air Pressure	Drive System	Posture (Air Cylinder)	Air Cylinder Driving Force (Air Pressure at 0.49Mpa)		Control Box
				Max. Load	Posture Torque	
AC200~220V ±10 50/60Hz Single Phase	0.49 Mpa (71 psi)	AC Servo Motor	90°Fixed	10 kg (22 lbs) Incl Chuck Weight	57.8 N•m (42.6 ft-lbs)	STEC-NC2a

### GENERAL SPECIFICATIONS

Model	Stroke (mm)				Electric Consumption (KVA)	Max Power Consumption (KW)	Net Weight (kg)		Air Consumption
	ⓅVertical	ⓇVertical	Crosswise	Traverse			Main Body	Pendant	
SAII-1400-3	1400	-	1180	2200	1.4	1.1	632	1.1	7.1 L/Cycle (0.6 ft³)
SAII-1400S-3		1450	1010		2.6	1.7	678		

\* Net weight includes the weight of interlock box and driver box.

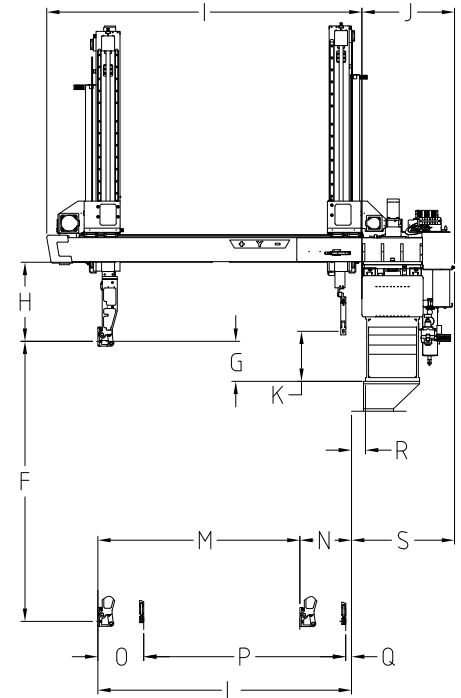
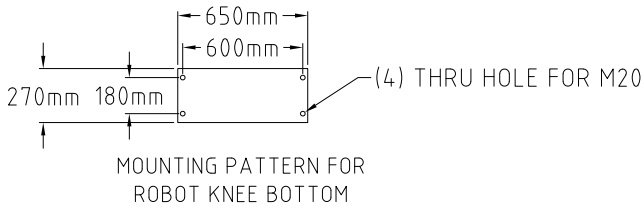
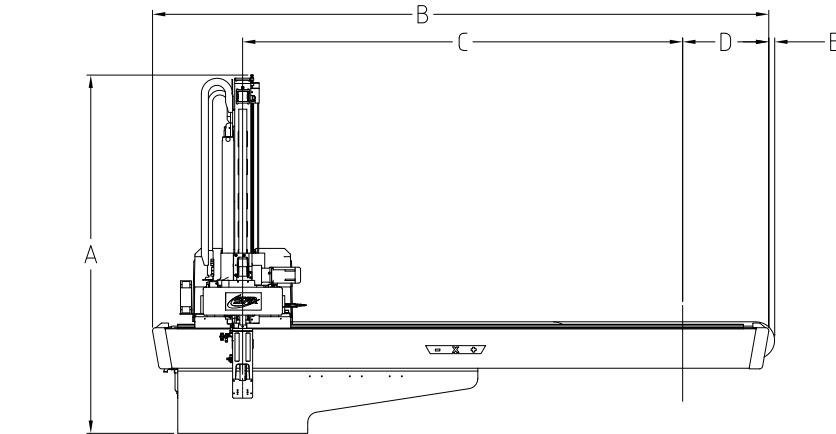
\* In the column of stroke, Ⓟ stands for product side arm and Ⓡ stands for runner side arm.

### STANDARD FUNCTIONS

Extract descent standby	Energy saving vacuum confirmation unit (1circuit)	Ejector forward & return link	Runner release within mold
Crosswise product extract side posture control	Free extract for under-cut mold	Midway runner release (Advance & Return)	Extraction from fixed mold
Crosswise Free Servo point	Posture control during traverse	Posture midway descent at release side	Defective product reject
Initial defective product reject	Delayed traverse	Two language exchange (English, Spanish)	Standard packaging
Free packaging (100 points × 2 stage)	Start signal of conveyor	Servo sleep feature	Easy NC steps (USER PROGRAM EDITING)
External storage memory	Default blind feature	Backlight Auto OFF	

## OPTION FUNCTIONS

Vacuum confirmation unit (2 or 4 circuits)	Chuck pressure regulator	Rotation Unit	Air nipper in chuck circuit
Release product at two different points	Release product at four different points	NT gate cutting on crossmember of moving mold side (w/unit)	Alarm Lamp (Red color, w/o buzzer)



OUTER DIMENSIONS (mm)		SAII-1400-3	SAII-1400S-3
A	Overall height	1770	1790
B	Overall width	3080	
C	Traverse stroke	2200	
D	Overhang, release side	430	
E	Cable guide overhang	30	
F	(P) Vertical Stroke	1400	
G	(P) Vertical Standby	200	
H	Bottom of crosswise to chuck mount position	395	
I	Crosswise arm	1576	
J	Thickness	465	
K	(R) Vertical standby	-	250
L	(P) Crosswise reach max	1268	
M	(P) Crosswise stroke max	1180	1010
N	(P) Crosswise standby min	88	258
O	(P) (R) Proximity min	-	229
P	(R) Crosswise stroke min	-	1010
Q	(R) Crosswise standby min	-	29
R	Base Offset	70	
S	Mold Mounting Face - Box End	535	

All stated here is subject to change without notice.